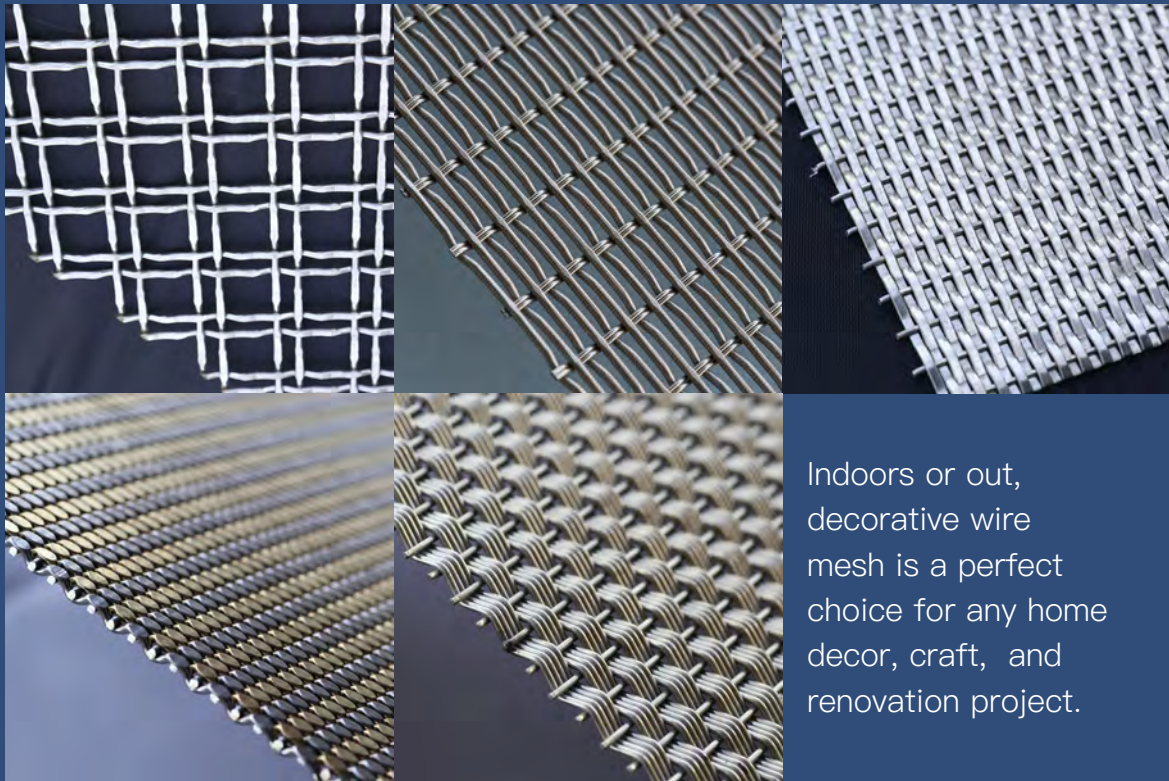


# Decorative & Architecture Mesh Pre-crimped Style



Indoors or out,  
decorative wire  
mesh is a perfect  
choice for any home  
decor, craft, and  
renovation project.

# APPLICATION

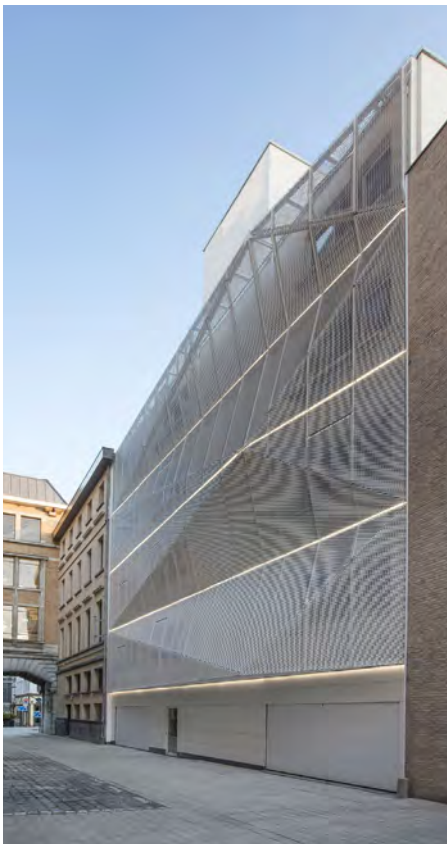


## Beautiful, Versatile & Long-Lasting

Decorative wire mesh is a product embraced by curtain wall designers, interior designers, and craftspeople. From decorative accents and cabinets to lighting features and privacy screens, design possibilities are endless.

### Decorative & Architecture Mesh

Each distinct pattern of Hightop decorative wire mesh is itself a work of art, designed with a specific geometry, open area, dimension, and flexibility. Woven by skilled artisans from a multitude of combinations of highly durable, yet readily recyclable metals, including stainless, bronze, aluminum, and brass, metal fabric is an intrinsically sustainable building material.

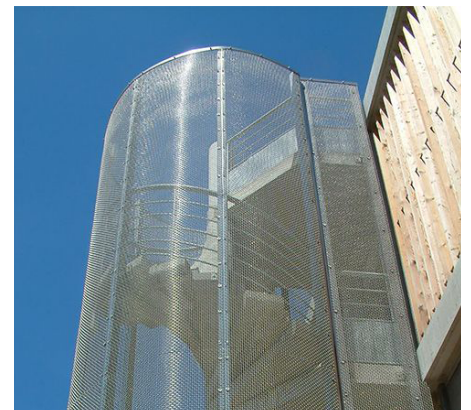
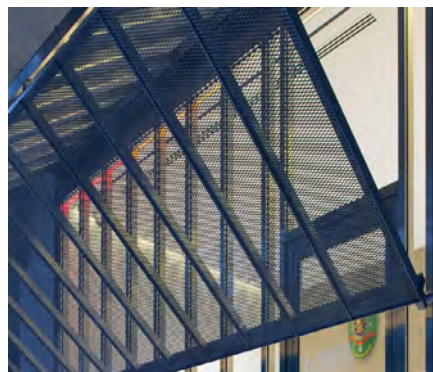


### Architectural Functions

The visual beauty of woven metal usually upstages the material's critical functional offerings. These include: solar shading, acoustic transparency, ventilation, security and safety, space sculpting, and masking.

### Any Building Type

From parking garages and pedestrian bridges, to performing arts venues and major sports complexes, Hightop decorative wire mesh are gracing structures across the country and around the world. Woven through interiors and exteriors of museums, libraries, hospitals, research centers, universities, casinos, stadiums, hotels, retail establishments, government facilities, and religious facilities, Hightop mesh is transforming the ordinary into the extraordinary.



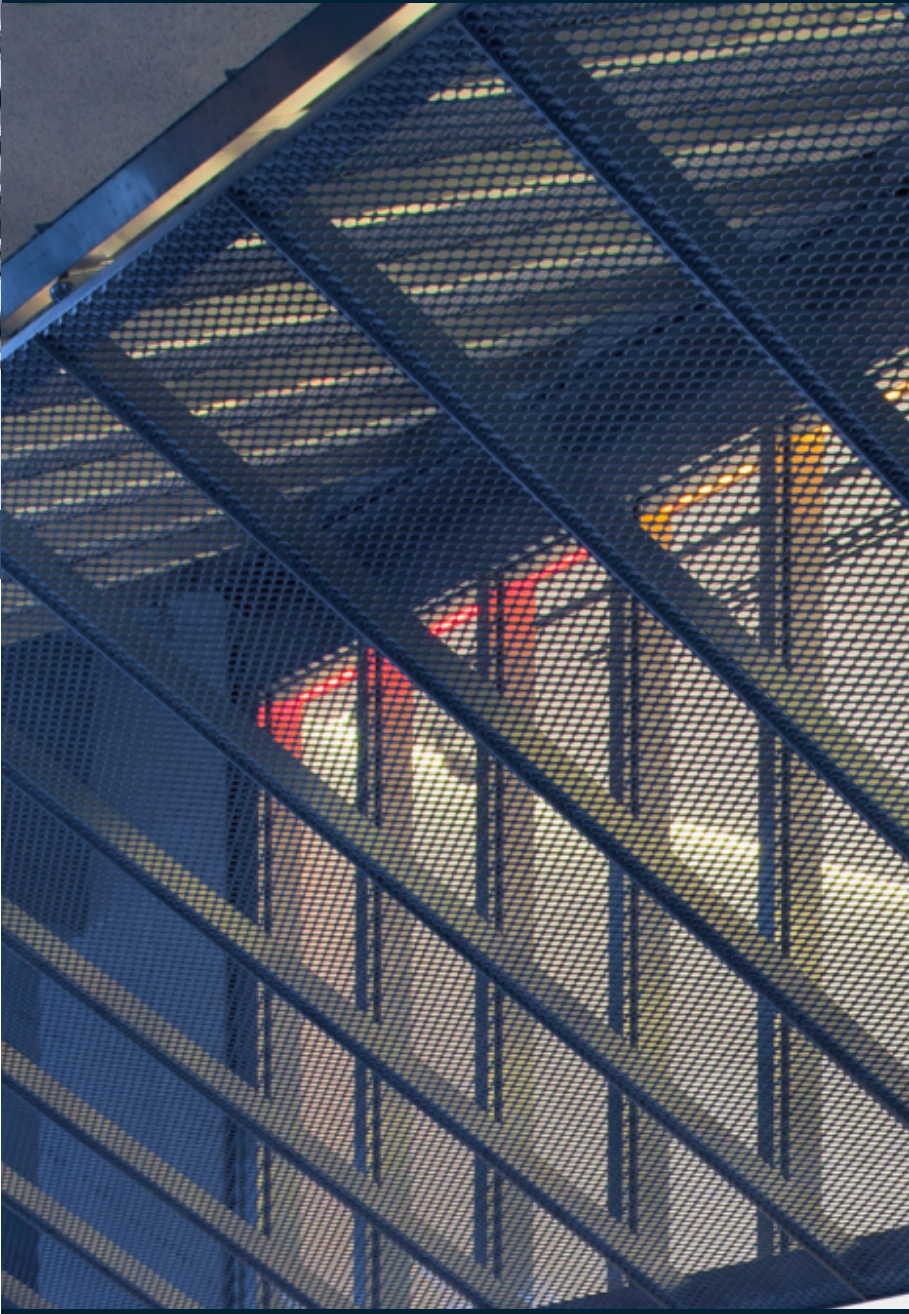
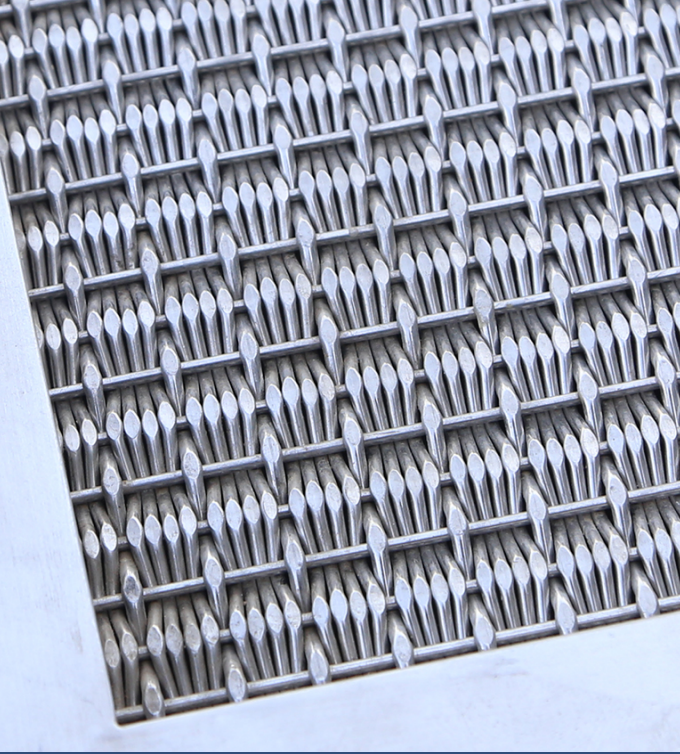
### Engineered Attachment Systems

Hightop offers a large variety of flexible and rigid mesh patterns as well as the best-engineered attachment systems in the industry. Hightop continually develops new mesh patterns, finishes, attachment systems, and innovative ways to use mesh material to achieve certain architectural looks or function.

### POPULAR APPLICATIONS

- Canopies
- Ceilings
- Curtains
- Elevators
- Facades
- Handrail Infills
- Parking Facilities
- Solar Shading
- Security Screens
- Signage
- Stair Towers
- Wall Cladding

# COMPANY PROFILE



Welcome to the debut of **Hightop**, a universal solution for framing woven mesh fabrics and decorative architectural panel products.

Hightop provides complete systems customized to the application. Hightop collaborates with architects and designers to develop mesh solutions that most fully realize the conceptual intent. Hightop consultants also present possibilities that may not have even been considered and offer valuable expertise on how to properly specify architectural mesh for each.

If you have any other questions about Hightop, feel free to contact us at <https://www.meshfromchina.com>. Follow us on [Facebook](#), [Twitter](#), and [LinkedIn](#) for helpful roll forming information and the latest industry news.





### **T304 STAINLESS STEEL**

Primarily used for interiors with a naturally bright silver finish.

Can be powder coated to add color and corrosion resistance.

18-20% Chromium  
8-10% Nickel



### **T316 STAINLESS STEEL**

Primarily used for exteriors with a naturally bright silver finish.

Can be powder coated to add color and corrosion resistance.

16-18% Chromium  
10-14% Nickel  
2-3% Molybdenum



### **COPPER**

Rich color primarily used on interior panels.

Can be left natural to patina over time or lacquered to reduce patina formation.

## MATERIALS

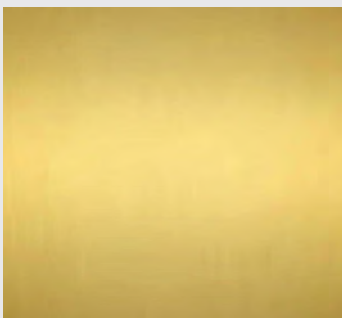
### **BRASS**

Alloy of Copper and Zinc.

Rich color primarily used on interior panels.

Naturally patinas slower than pure copper.

Can be left natural to patina over time or lacquered to reduce patina formation.



### **BRONZE**

Alloy of Copper and Tin.

Rich color primarily used on interior panels.

Naturally patinas slower than pure copper.

Can be left natural to patina over time or lacquered to reduce patina formation.



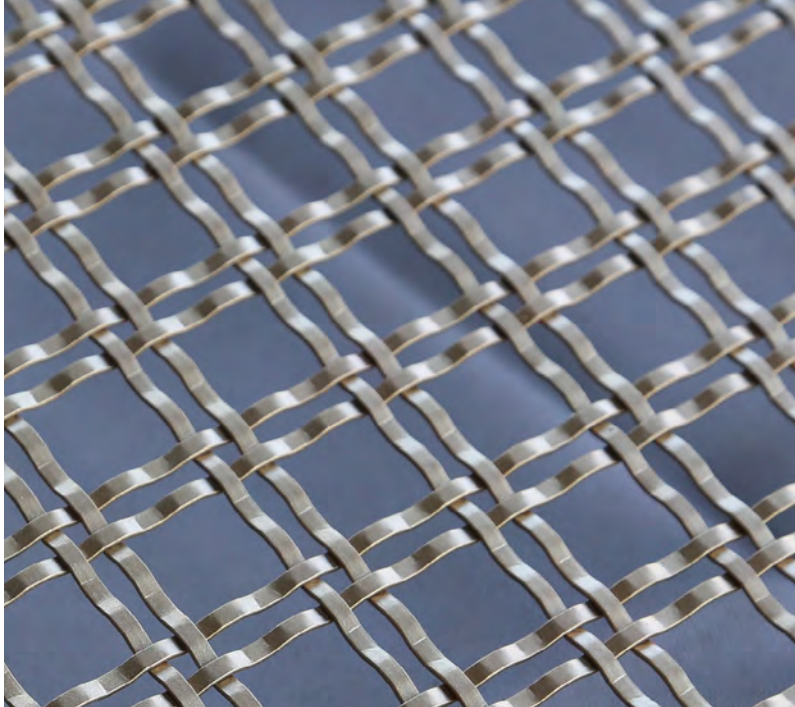
### **ALUMINUM**

Can be used for interiors and exteriors.

Can be anodized or powder coated to add color and enhance corrosion resistance.



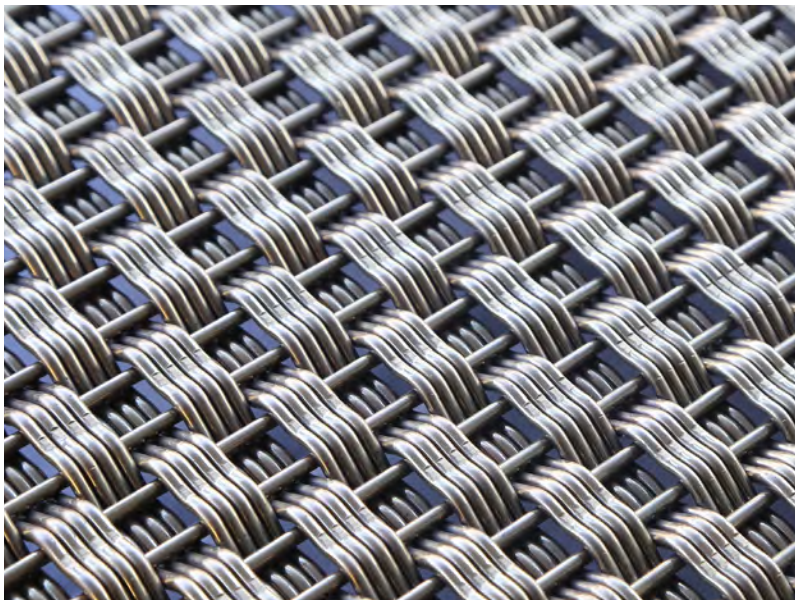
# WEAVE TYPES



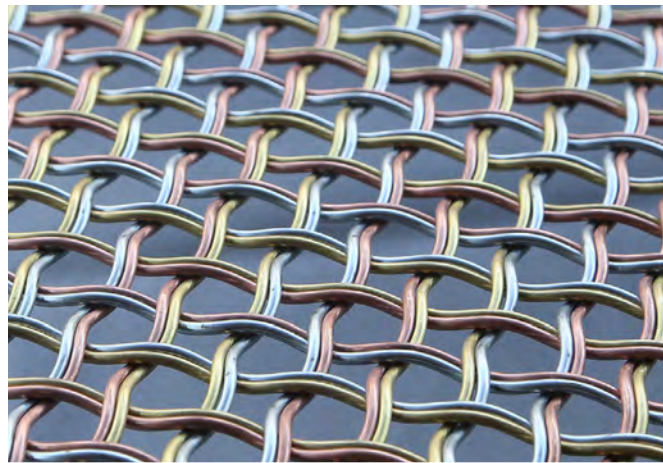
- Material: Stainless Steel
- Wire diameter: 3mm
- Hole: 15mm
- Tolerance:  $\pm 0.02\text{mm}$



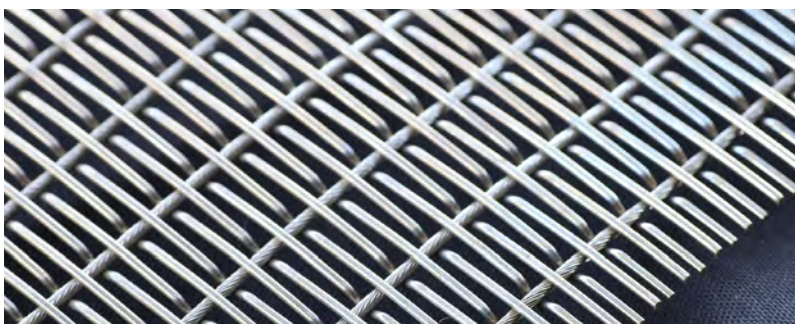
- Material: Stainless Steel
- Wire diameter: Warp 3x5mm, Weft 2mm
- Hole: 2mm
- Tolerance:  $\pm 0.02\text{mm}$



- Material: Stainless Steel
- Wire diameter: Warp 4x2mm, Weft 2mm
- Hole: 6mm
- Tolerance:  $\pm 0.02\text{mm}$



- Material: Brass wire&Copper wire
- Wire diameter: 2.75mm
- Hole: 32mm
- Tolerance:  $\pm 0.02\text{mm}$



- Material: Stainless Steel
- Wire diameter: 1mm, Cable diameter: 2mm
- Hole: 2mm
- Tolerance:  $\pm 0.02\text{mm}$



- Material: Stainless steel
- Wire diameter: 10mm x 20mm
- Hole: 5mm
- Tolerance:  $\pm 0.02\text{mm}$

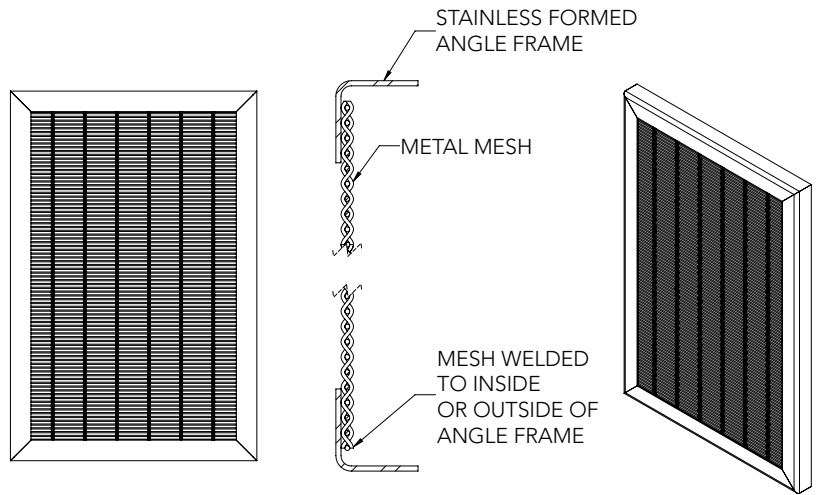
# WEAVE TYPES



## ANGLE FRAME

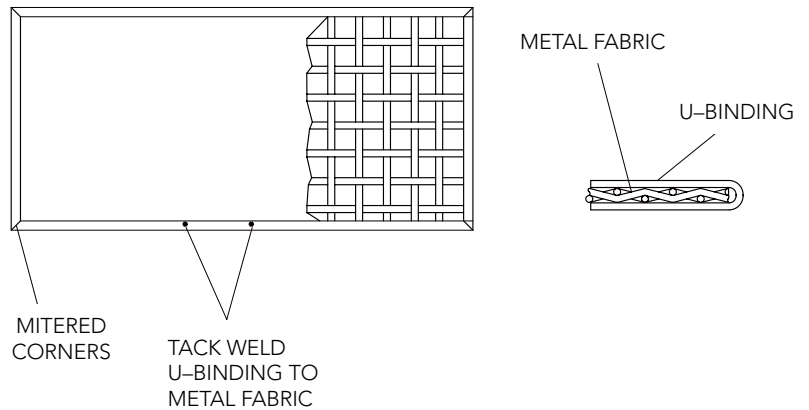
Angle Frame attachment system is designed to provide mounting for either flexible or rigid mesh in applications where cost-effective panel systems are required.

Utilizing a formed stainless steel angle as the structural element, the mesh is tack welded either on the interior of the frame, leaving a border; or it can be welded to the outside of the frame to conceal the angle. The steel angle itself can be left unfinished; or exposed surfaces can be polished and finished.



## U BINDING

With U Binding attachment hardware, metal fabric is tack welded to a u-binding frame with mitered corners that are welded and ground smooth for a brushed finish.





HEBEI HIGHTOP METAL MESH CO., LTD

Add: No.105 Bolin Village, Anping County, Hebei, China.

Phone: 0086 311 80872546

Fax: 0086 311 80872546

Email: [sales@meshfromchina.com](mailto:sales@meshfromchina.com)

Web: [www.meshfromchina.com](http://www.meshfromchina.com)